

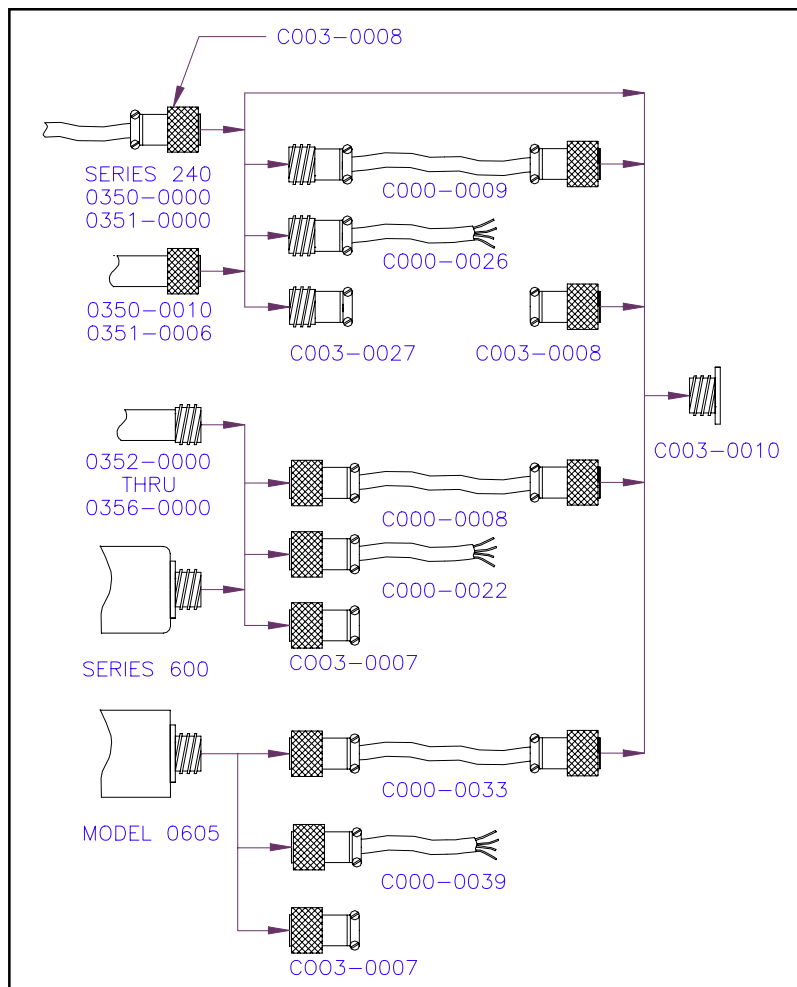
TRANS-TEKNOTE

CONNECTOR AND CABLE ASSEMBLIES

Many Trans-Tek transducers incorporate connectors as their standard method of electrical interface. In other instances, users need to install an in-line connector on a unit that normally terminates in a cable or individual lead wires. To aid in selecting the proper connectors and/or cable assemblies, the diagram below illustrates the various

options available for many of our transducers.

The listed part numbers refer to complete assemblies, which include all required shells, strain reliefs and cable bushings. Unless otherwise specified, all of the cables shown are supplied in 15' lengths.



Model 1003 Mating Connectors

The Model 1003 Transducer Indicator uses screw terminal connectors, which are not included in the diagram above. The mating connectors for the Model 1003 and its various options are listed in the table to the right. These connectors, unlike the MS style ones above, do not use strain reliefs or bushings.

| 1003 Version | #Pins | Connector P/N |
|-----------------------|-------|--|
| Std. Version AC or DC | 10 | C003-0053 |
| Relay Option Only | 12 | C003-0054 |
| RS232 Option Only | 4 | C003-0055 |
| Relay & RS232 Options | 8, 4 | C003-0056 (8 pin) C003-0055 (4 pin) |